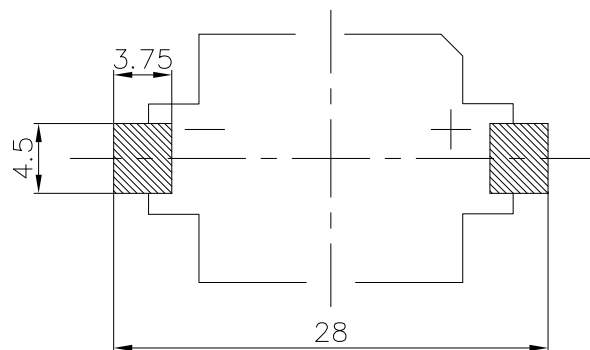
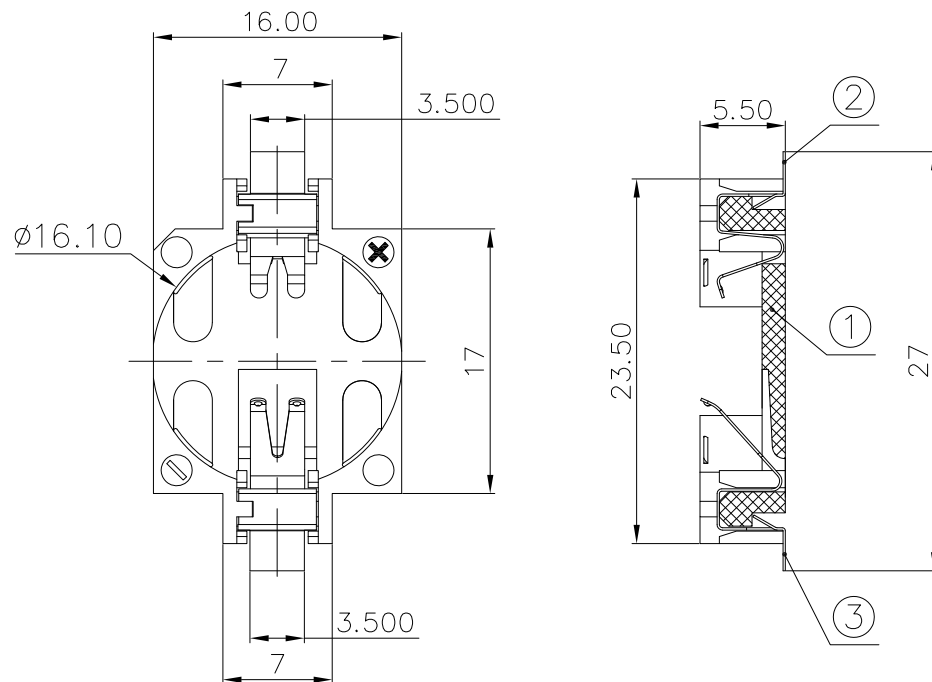




REV.	ECN NO.	REVISED	DATE



PCB Layout Diagram  
Top View

NOTE:

1.MATERIAL:

- a.HOUSING:LCP
- b.CONTACT:PHOSPHOR BRONZE  
(SURFACE PLATING: Sn100U"-120U")  
SEE ORDERING INFORMATION

2.ELECTRIC:

- a.CONTACT RESISTANCE: 30 MILLIOHMS MAX
- b.INSULATION RESISTANCE: 1000 MEGA OHMS MIN
- c.DIELECTNIC VOLTAGE: 500V AC ONE SEC LEVEL
- d.OPERATING TEMPERATURE: -25°C~ +85°C

ORDERING INFORMATION

**BS-16-B\*\*\*003**

电池座系列  
BS-16系列  
SMT 180° TYPE

PLATING:  
A-Au1U"  
J-Ni100U"~120U"  
K-Sn100U"~120U"

MATERIAL:  
1A-PBT BLACK  
1B-PA66 BLACK  
2A-PPA BROWN  
2B-PPA BLACK  
3A-PPS BROWN  
3B-PPS BLACK  
4A-LCP WHITE  
4B-LCP BLACK

工程部  
2017-07-14  
ZW DANG

UNLESS OTHERWISE SPECIFIED TOLERANCES		<b>MYOUNG 美阳</b> www.meiyangdz.com	
DECIMALS: X :±0.30 X.X :±0.25 X.XX :±0.20 X.XXX :±0.10	ANGLES: X :±1° X.X :±0.5°	DSND YangFeng	DATE 2017-07-14
WEIGHT: 1.34g		CHKD ZhouRuicai	DATE 2017-07-14
SHEET 1 OF 1		APVD XueShunyong	DATE 2017-07-14
TITLE: BS-1632-1 SMT		PART NO.: BS-16-B4AK003	
UNIT: mm		SCALE: 2:1	VIEW:
REV.: A/0		SIZE: A4	OBJECT: MY
DRAW NO.:MY-CP-0085			

NO.	PART NAME	Q'TY	MATERIAL	PLATING & COLOR
3	TERMINAL(-)	1	PHOSPHOR BRONZE, T=0.15mm	Sn-Plating
2	TERMINAL(+)	1	PHOSPHOR BRONZE, T=0.15mm	Sn-Plating
1	HOUSING	1	LCP	WHITE